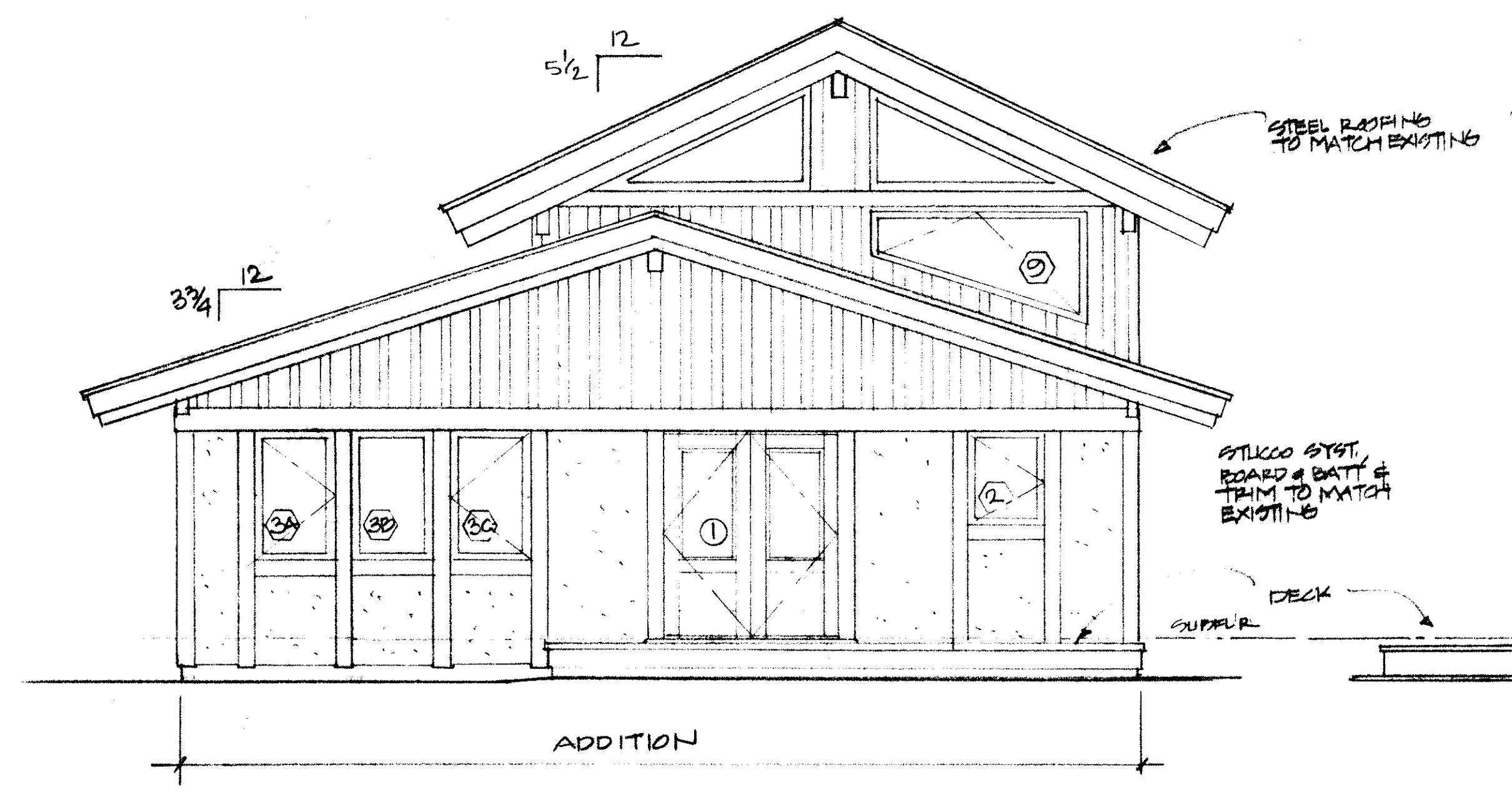
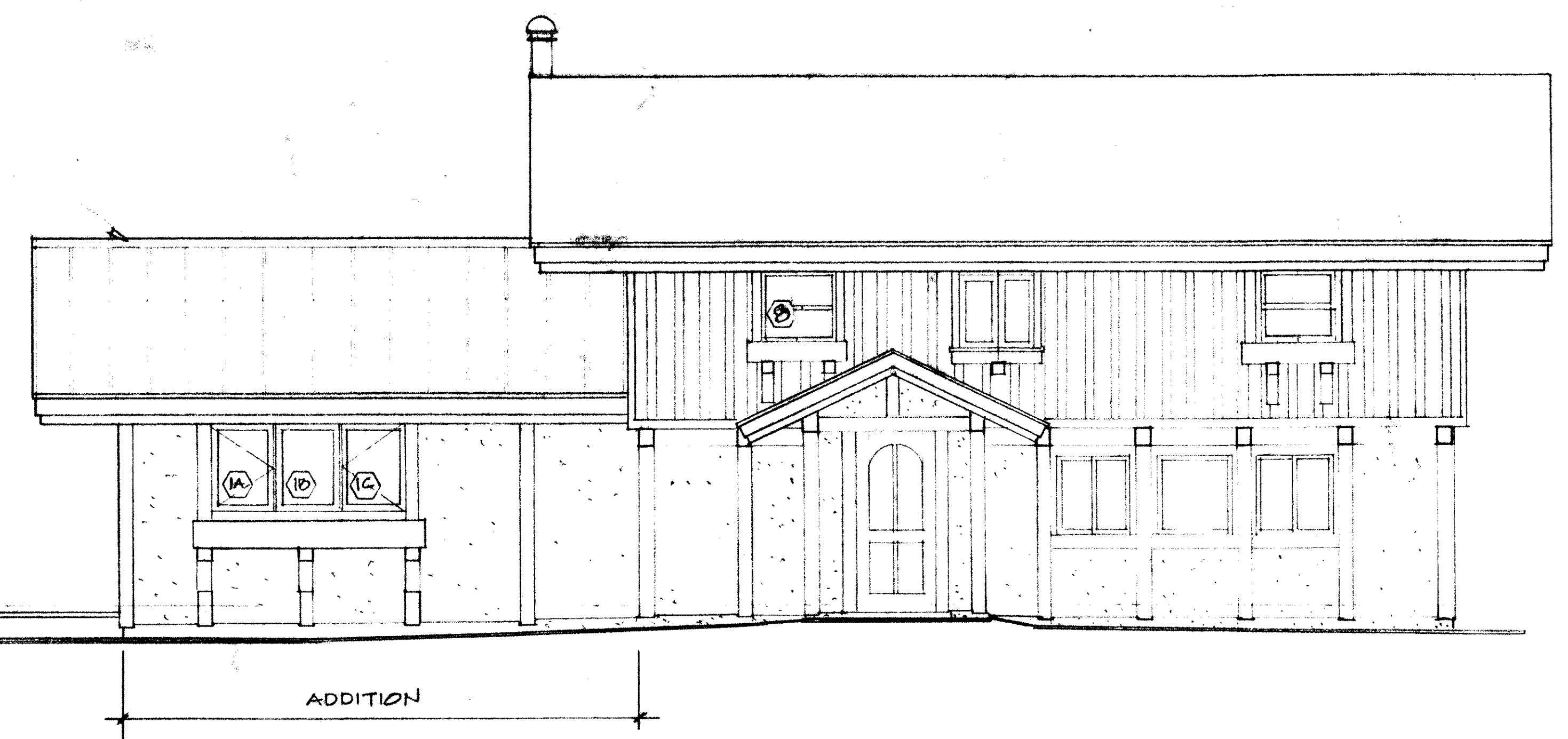


REVISIONS	BY

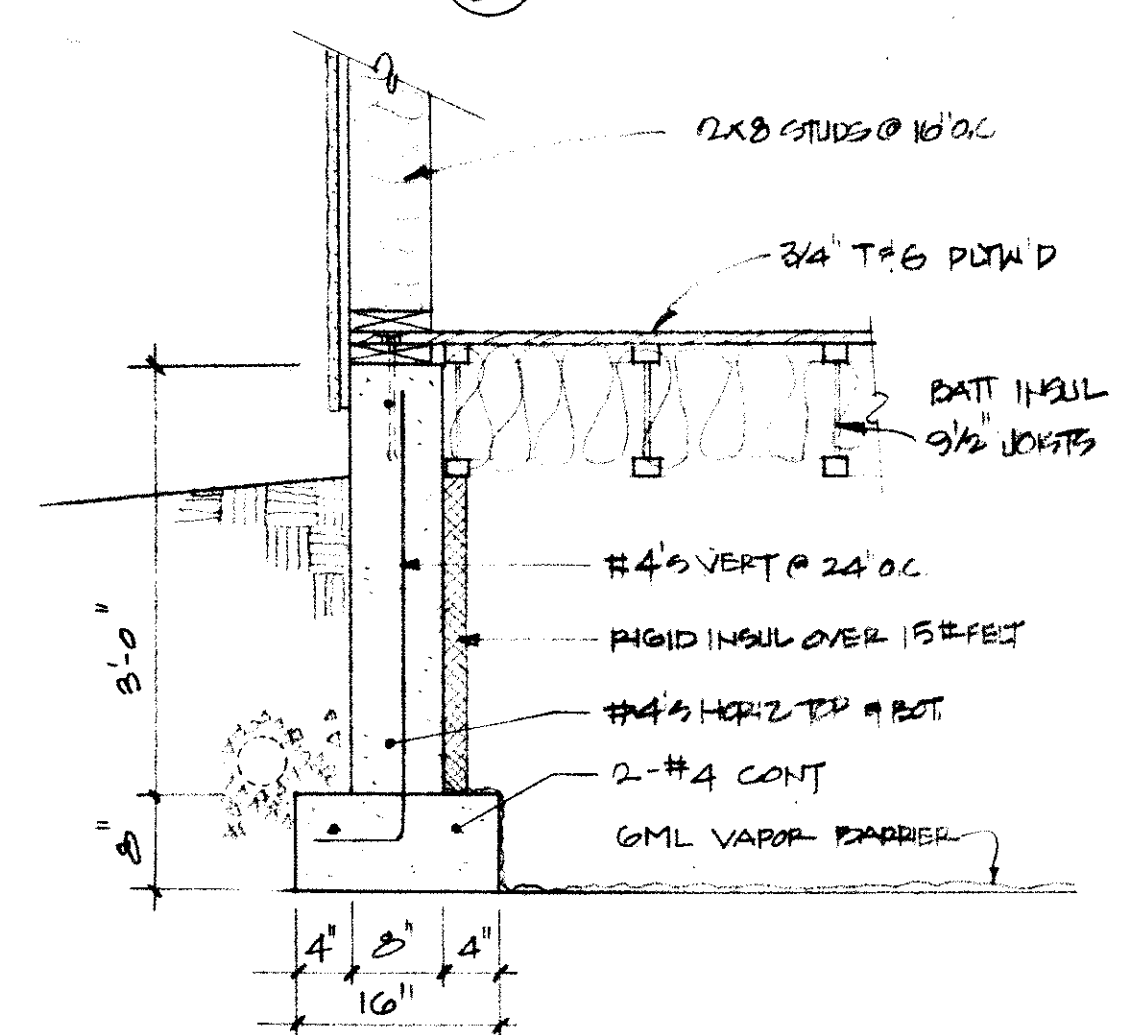


3 SOUTH WEST ELEVATION

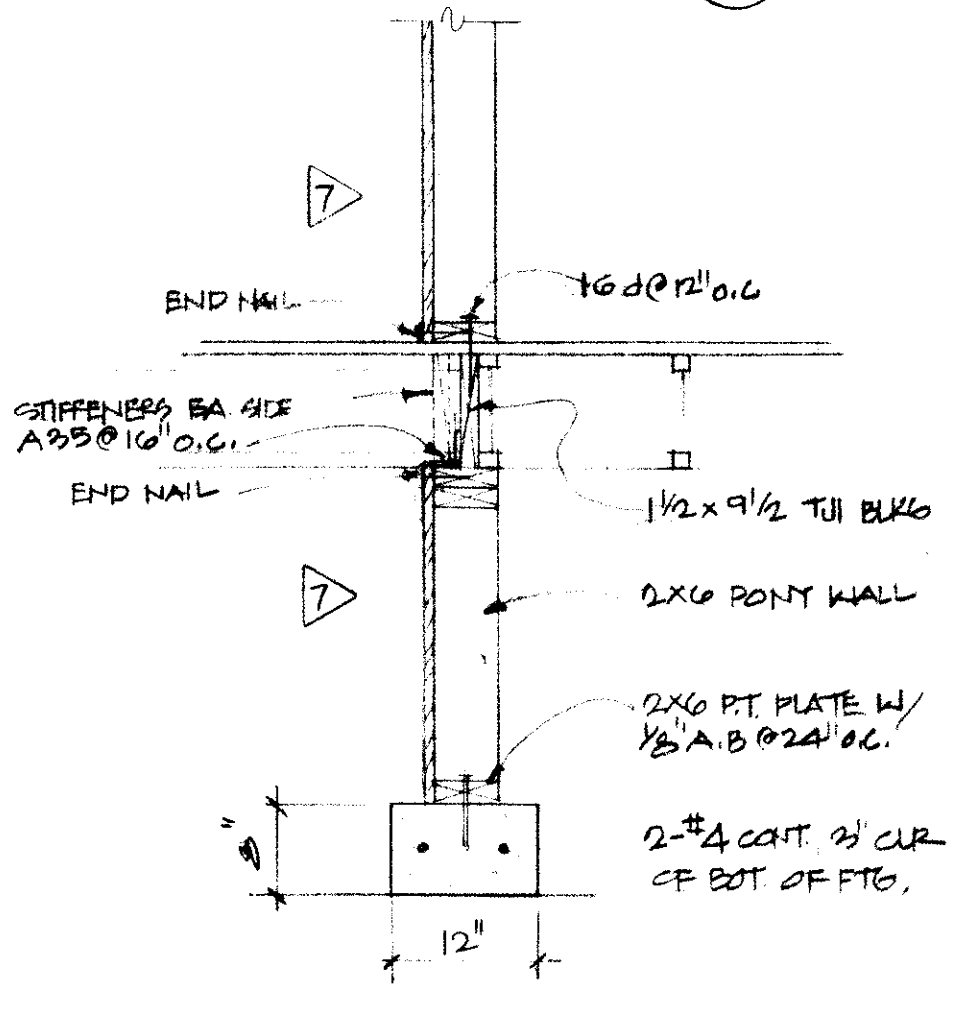


4 SOUTH-EAST ELEVATION

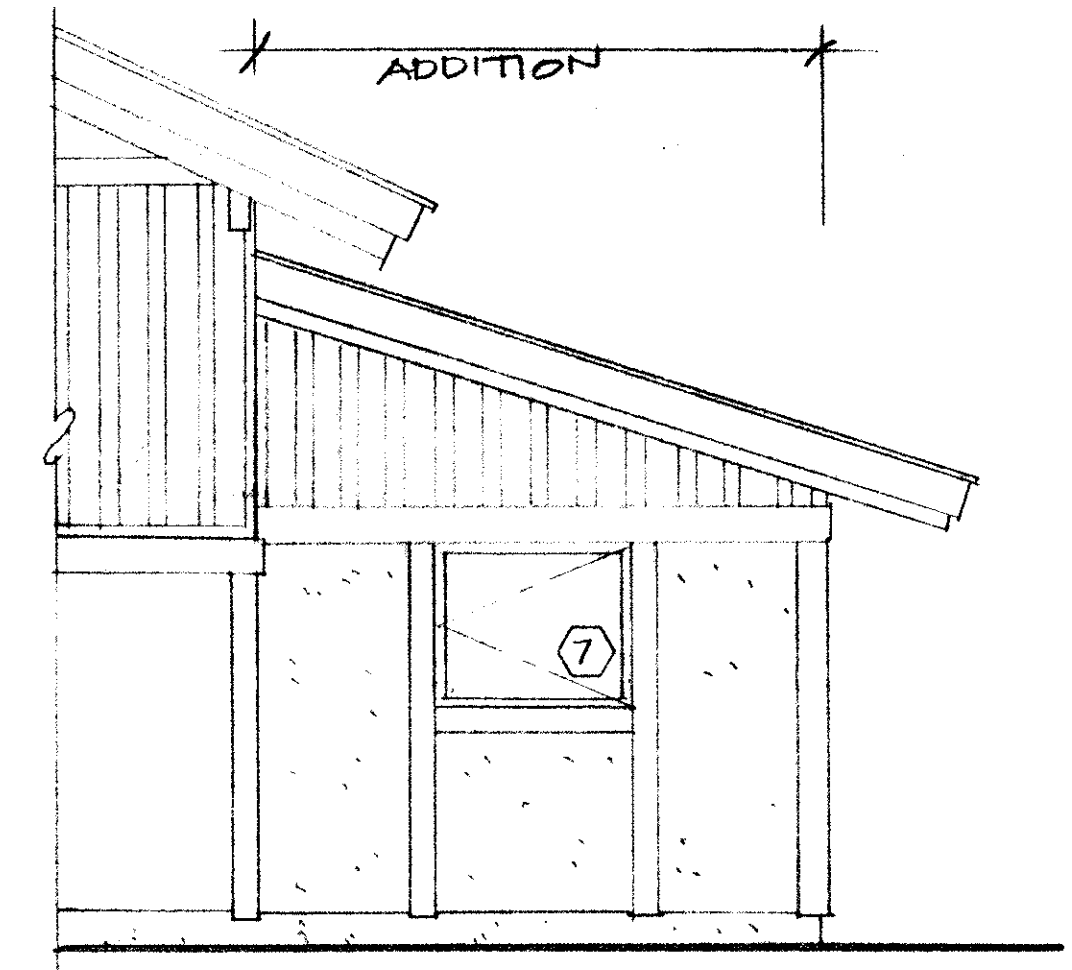
1/4" = 1'-0"



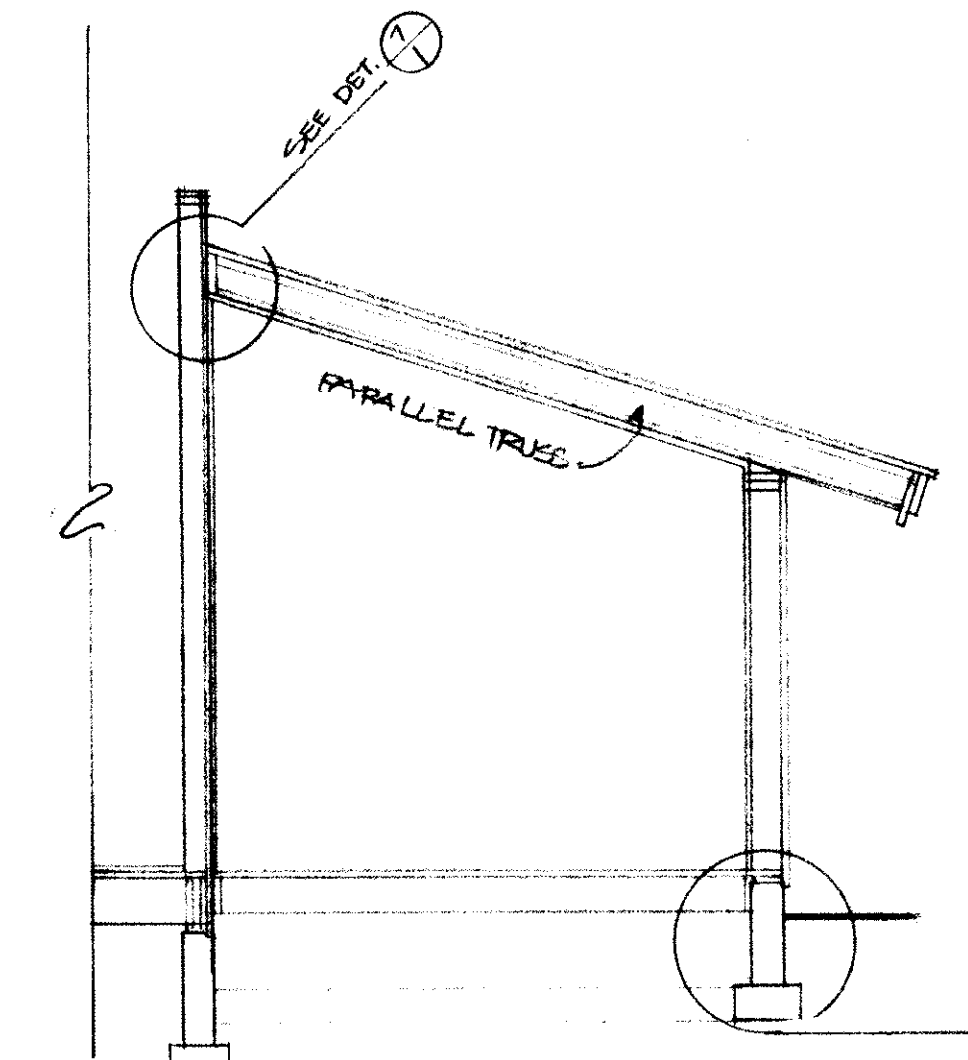
7 FOUNDATION WALL
3/4" = 1'-0"



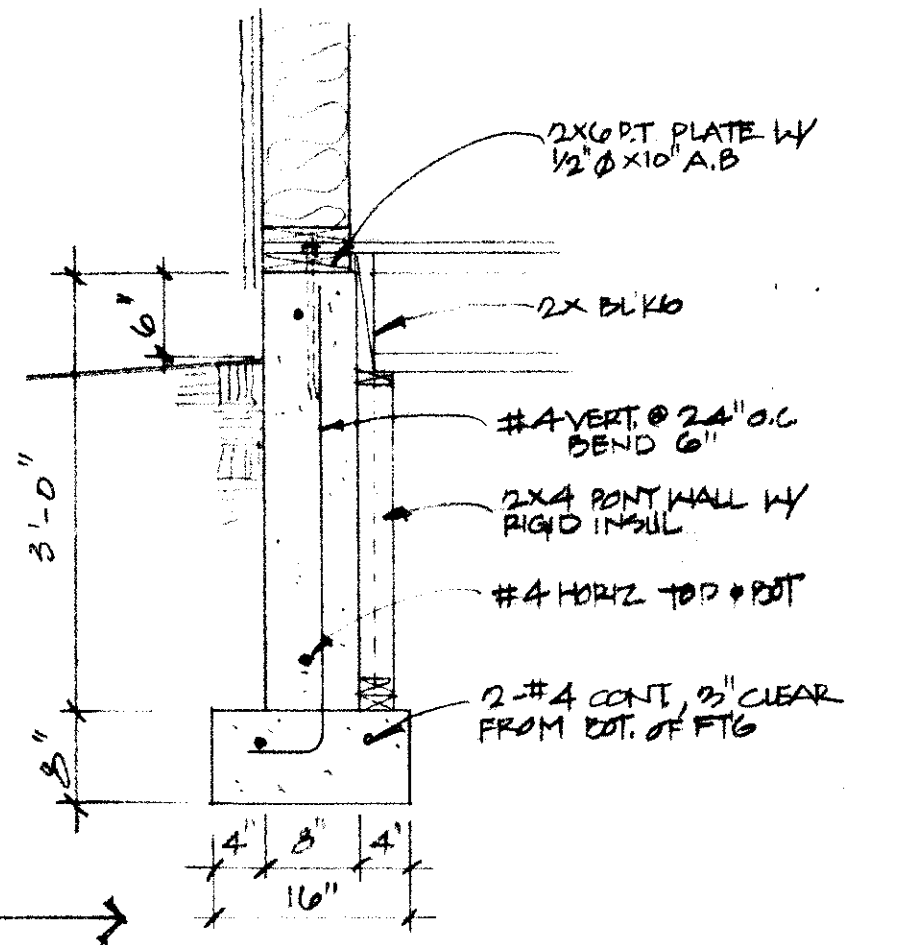
8 SHEAR / RENT WALL



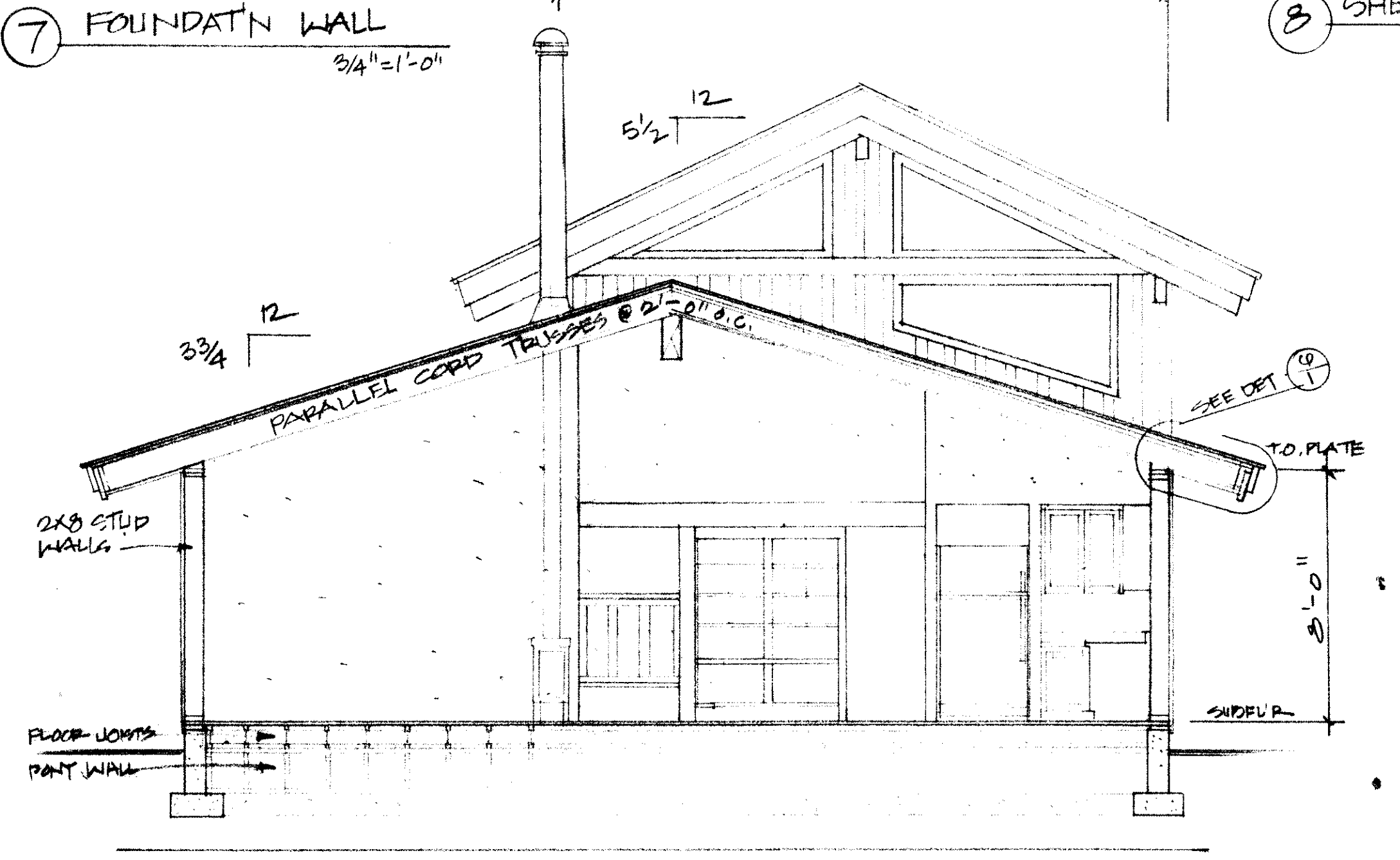
5 N.E. ELEVATION



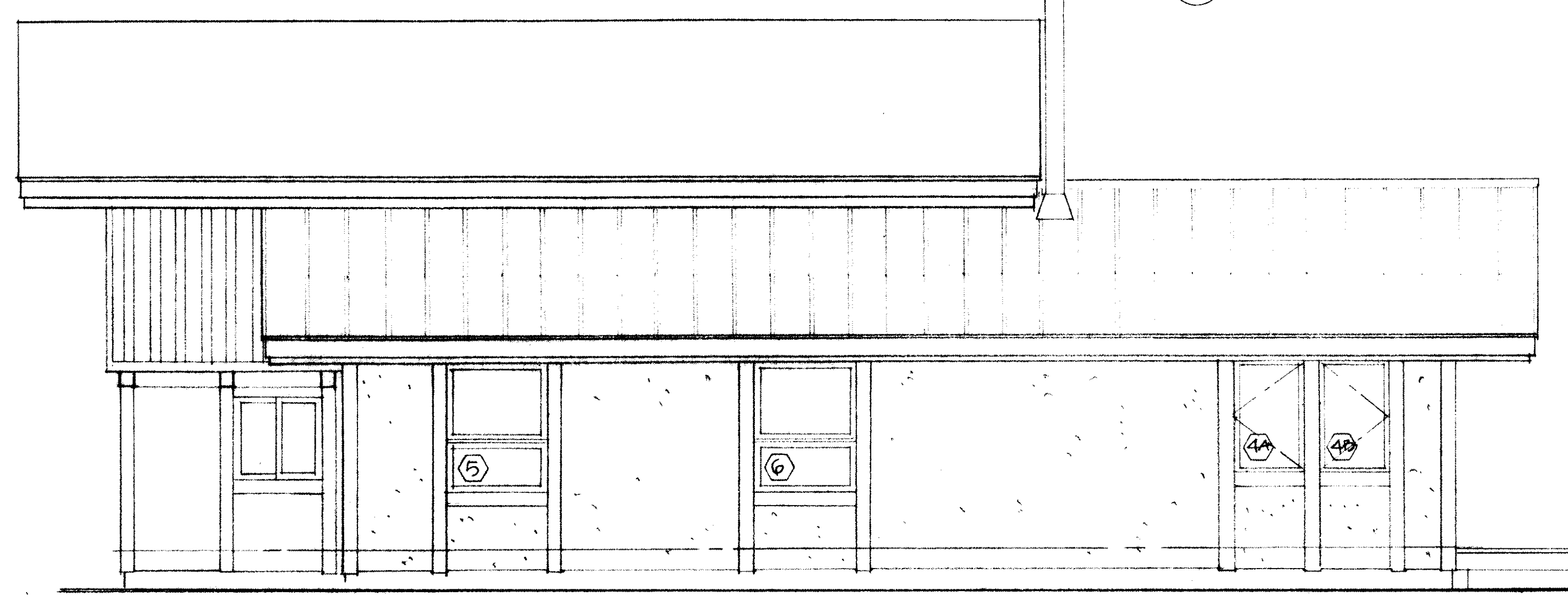
6 SECTION



9 FOUNDATION WALL



1 SECTION
1/4" = 1'-0"



2 NORTH WEST ELEVATION

KELLAM = MUNTER ADDITION
 110 BOARD LOOP
 BLAINE COUNTY, IDAHO

DATE	
SCALE	
DRAWN	
JOB	
SHEET	2
OF 2 SHEETS	

DAYWRIGHT COMP. 100 80 CLAREMONT ST. SAN MARINO, CA 91766
 STOCKDRAFTING FORM NO. 101-54